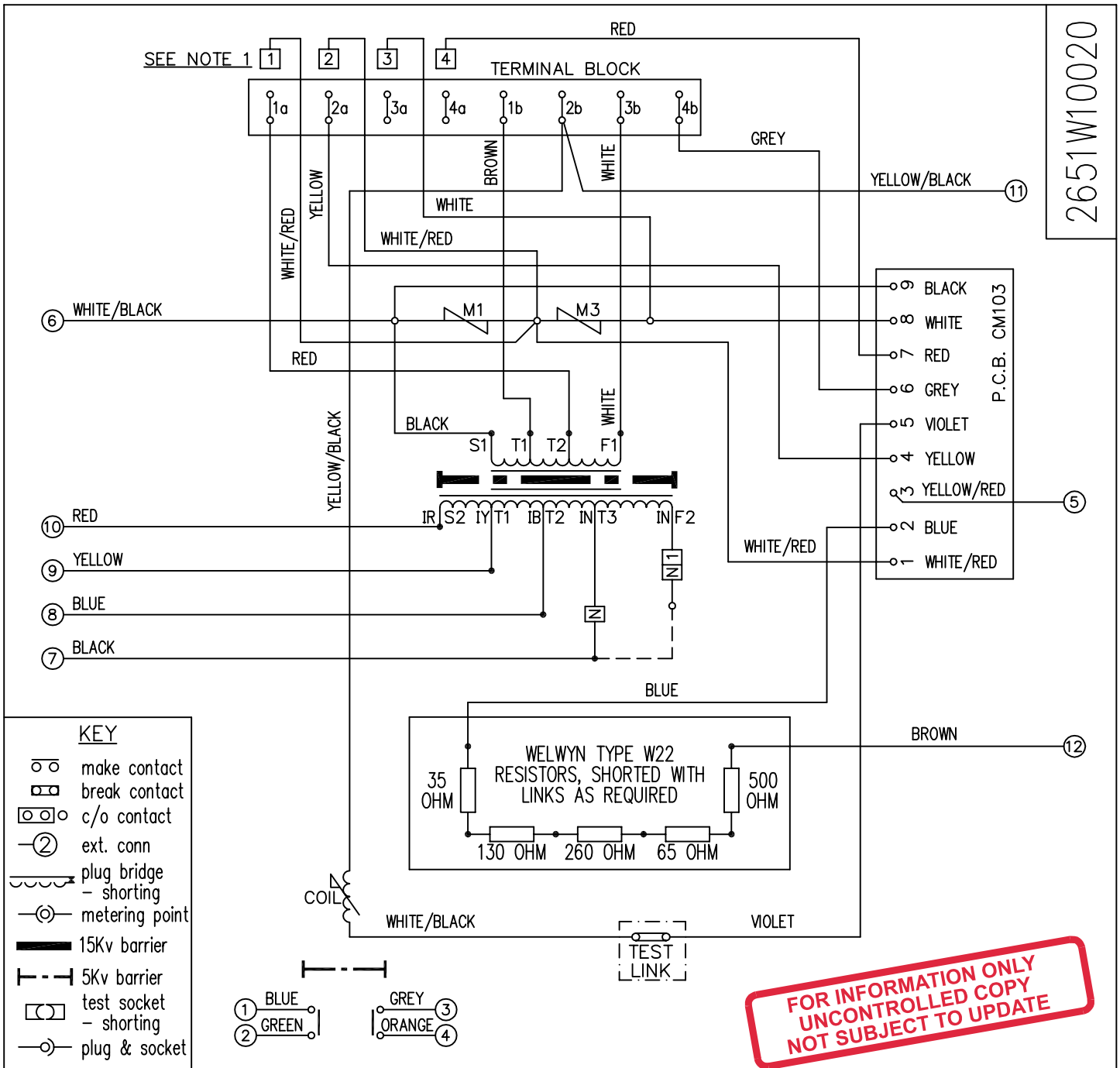


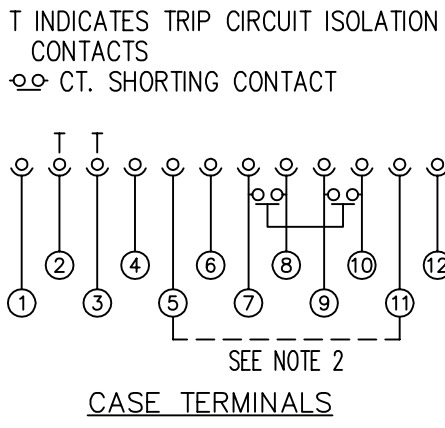
2651W10020



KEY

- make contact
- break contact
- c/o contact
- ext. conn
- plug bridge - shorting
- metering point
- 15Kv barrier
- 5Kv barrier
- test socket - shorting
- plug & socket

FOR INFORMATION ONLY
UNCONTROLLED COPY
NOT SUBJECT TO UPDATE



NOTE:

- LEADS [1] TO [4] INCLUSIVE TO BE CONNECTED TO TERMINALS 1a TO 4a FOR SOLKOR 'R' OPERATION OR 1b TO 4b FOR SOLKOR 'Rf' OPERATION.
- CASE TERMINALS 5 AND 11 TO BE LINKED ONLY WHEN RELAY IS IN SOLKOR 'R' MODE.
- FOR SCHEMATIC DIAGRAM OF SOLKOR 'R' SEE 2651W10133. FOR SCHEMATIC DIAGRAM OF SOLKOR 'Rf' SEE 2651W10010.

Copyright © 2003 VATECH REYROLLE ACP Ltd. Hebburn

Title: WIRING DIAG. FOR SOLKOR R/Rf RELAY - 2M CONTACT IN 1P VEDETTE CASE.			First used on:						
3 RDW MN651/2749			Similar Articles:						
22/11/05			Supersedes:						
TERML PAIRS 1/2 & 3/4 WERE 1/3, 2/4			Drg.No.						
REDRAWN ON CAD WITHOUT MODS.			2651W10020						
7/7/03									
MOD.No. 2651/2557			Original Scale.						
ISSUE DATE MOD.No.									
VATECH REYROLLE			Original Scale.						
AUTOMATION, CONTROL & PROTECTION									
DRAWN:	RDW	CHECKED:	RDW	APPROVED:	R.D.WATSON	DATE:	7/703	IE:	OPS: